

# ClearView® db Quick Start Guide (General Purpose Enclosure, Pre-Calibrated units only)

1. To connect 24 Vdc power, follow all applicable electrical codes and safety procedures. Open the analyzer enclosure and locate the gold box. Viewing the base of the gold box, connect the +24 Vdc wire to POWER terminal 1 and the return wire to terminal 2 (as shown in Figure 1).

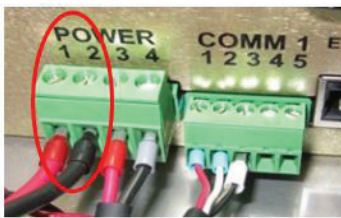


Figure 1



Figure 2

2. Connect the fiber optic cables from the probe or flow cell to the proper bulkheads found on the base of the gold box to the right side. Connect one to Source A and the other to Detector A as shown in Figure 2. (For dual channel systems repeat using Source B and Detector B with the other probe fibers.) Torque to 3in-lbs or very finger-tight if no wrench is available. Do not bend the fibers to < 6in radius.

3. Allow analyzer to run for at least 30 minutes, then reference (Zero) the probe, as described below.

a. Insure probe or flow cell windows are clean and dry.

b. Block all stray light by wrapping the probe in a dark cloth (Caution - do not block the light path). Or insert the cleaning plug back into the flowcell.

c. From the main screen press Channel A Answers, then REF, then Reference, then Continue. Transmission should be very close to 100% after referencing.

4. Your probe may now be put in service.

5. Press Exit to return to Channel A Answers to view the measured value(s) in real time.

## Connecting to a DCS or other external monitoring system (optional)

**For Modbus TCP over Ethernet** connect the Ethernet cable to the port on the bottom of the gold box. Please refer to the manual for instructions to find the IP address, if needed. Please refer to the Modbus map for assistance with format, commands, and registers.

**For analog I/O and relays** connect as shown in Figure 3. For additional Answers or Channels see Appendix C in the manual.

I/O must also be enabled in the instrument. Press Exit, Configuration, and 266344 (enter) to access the Configuration menu. Press Configure 4-20mA I/O and press the appropriate buttons to enable the inputs and outputs you have connected. Press exit to return to the main menu.

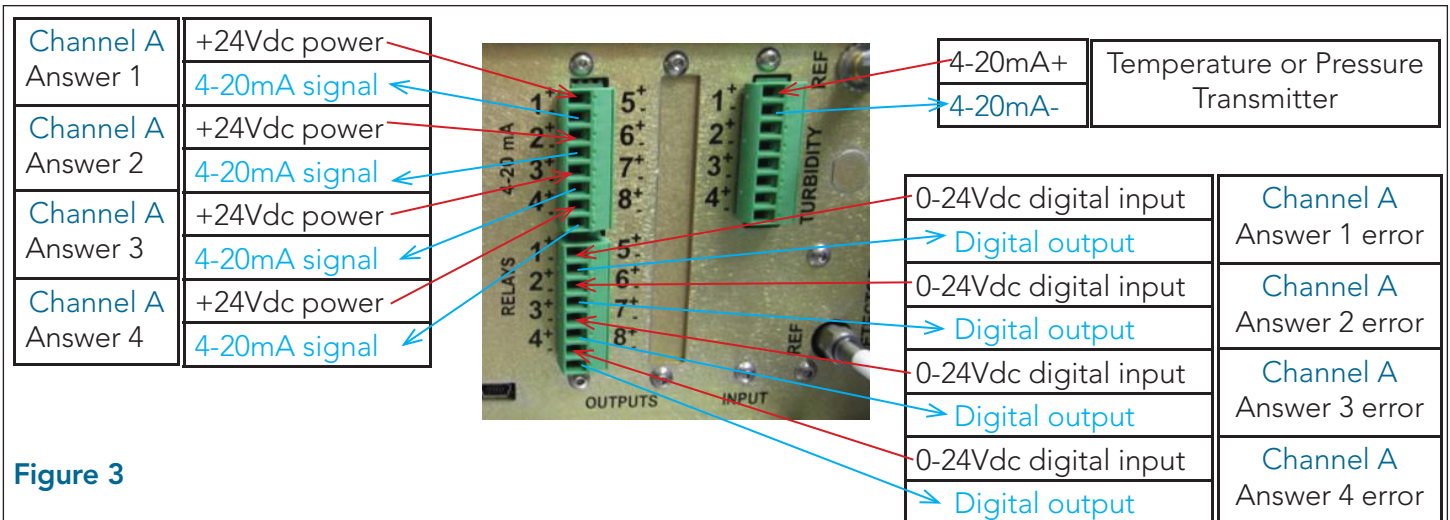


Figure 3

# ClearView® db Quick Start Guide (General Purpose Enclosure, Pre-Calibrated units only)

## Examples of How to Wire-Up the Analog Output PCA

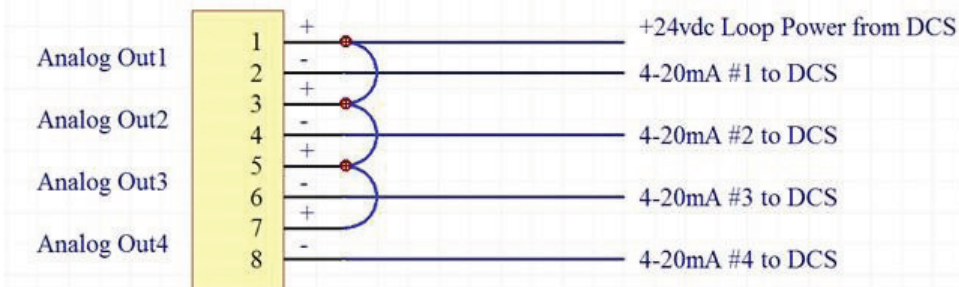
Each answer is associated with a 4-20mA output and a relay. For each Answer the 4 – 20 mA output is scaled to the Answers Range Low and High settings.

The relay for each Answer will be closed when no errors are present for that Answer.

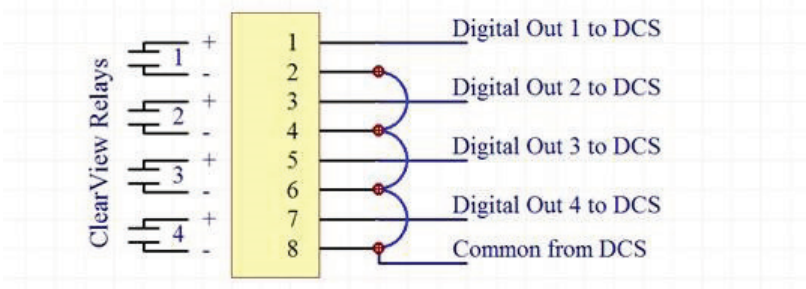
For a two channel system the first card is associated with channel A Answers 1 – 4 and the second card is for channel B Answers 1-4.

If you are running all of the analogs to the same place i.e. a DCS and you do not need individual channel isolation you can save some wire by running one common loop power wire as shown on this page.

Typical ClearView db Analog Output Wiring With Common Loop Power



Relay Output Wiring Example With Each Answer Status Separately Returned



Relay Output Wiring Example With Answers in Series

