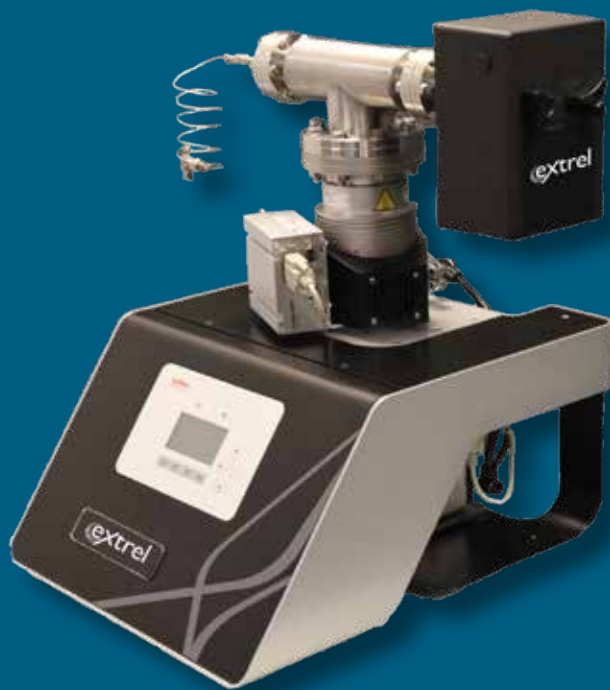


PRODUCT DATASHEET

MAX300-CAT™

Laboratory Gas Analyzer



Fast Response

Process Control

**Stable
Measurement**

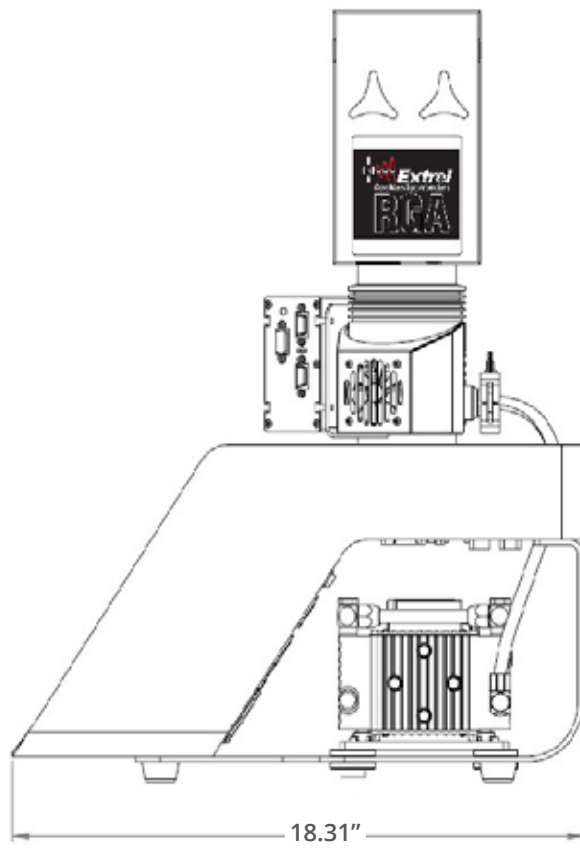
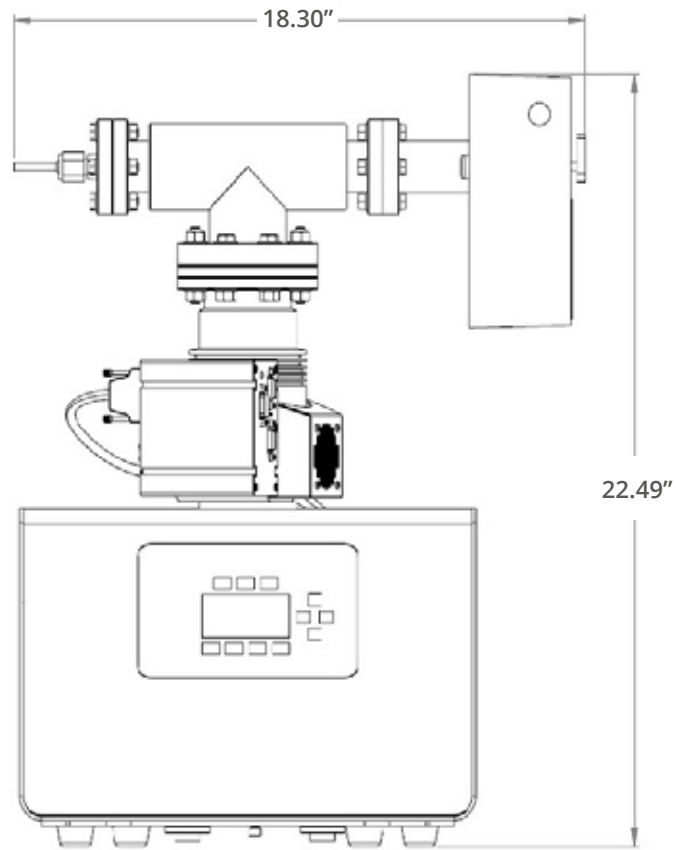
- Real-Time Gas Analysis
- Catalysis
- Reaction Monitoring
- Environmental Research

SPECIFICATIONS

System Highlights:	
Detectable compounds	Any gas or vapor sample
Detection range	Faraday/electron multiplier - Analysis range: 1×10^{-6} - 5×10^{-13} Torr (100% - 0.5 ppm)* - Low detection limit: 5×10^{-14} Torr (50 ppb)**
Analysis rate	Up to 1000 measurements per second
Gas consumption	10 μ L/min
Heated inlet option available	
Ionization energy control for reduced fragmentation	
Software	- VacuumPlus control software, standard - Questor5 upgrade, optional
Computer interface	RS-232C or USB
Filaments	Two, one active and one spare - Over-pressure protection provided by built-in Pirani and BA gauges
Mass range options	1-100, 1-300 amu
6 mm quadrupole mass filter	
Weight	55 lbs. (25 kg)
Power supply	110/230 VAC, 50/60 Hz
Dimensions (L x W x H)	465 x 465 x 571 mm
Standard inlet length	50 cm

* Documented on trace benzene in air.

** Based on the analysis of 1% argon.



GAIN REAL-TIME INSIGHT INTO YOUR PROCESS

Process Insights manufactures and delivers premium sensors, monitors, detectors, analyzers, instrumentation, and software that are mission-critical to keep your operations, personnel, and the environment safe – every day across the globe.

Get the most reliable, precision analytical technologies available on the market today. We will work to match your needs and budget, and provide the optimal, and most stable process analysis solution for your application.

CENTERS OF EXCELLENCE | PROVIDING PROVEN SOLUTIONS

Process Insights is committed to solving our customers' most complex analytical, process, and measurement challenges everyday.

Process Insights – The Americas

4140 World Houston Parkway Suite 180, Houston, TX 77032, USA +1 713 947 9591

Process Insights – EMEA

ATRICOM, Lyoner Strasse 15, 60528 Frankfurt, Germany +49 69 20436910

Process Insights – APAC

Wujiang Economic and Technology, Development Zone, No. 258 Yi He Road, 215200 Suzhou, Jiangsu Province, China +86 400 086 0106

For a complete range of products, applications, systems, and service options, please contact us at: info@process-insights.com

For a complete list of sales & manufacturing sites, please visit: <https://www.process-insights.com/about-us/locations/>

COSA Xentaur, Tiger Optics, Extrel, Alpha Omega Instruments, ATOM Instrument, MBW Calibration, MGA, Guided Wave, ANALECT and LAR TOC Leader are trademarks of Process Insights, Inc.



REVOLUTIONIZING MEASUREMENT

EVERYWHERE