

**PRODUCT DATASHEET**

# MAX300-LG™

Laboratory Gas Analyzer



**Fast Response**

---

**Process Control**

---

**Stable  
Measurement**

- Real-Time Gas Analysis
- Catalysis Monitoring
- Trace Gas Detection
- Environmental Research
- Multipoint Process Control

## MAX300-LG System Specifications

### Power Supply Options:

- 110 vAC +/- 10% vAC 50/60 hz, 10 Amp Circuit
- 230 vAC +/- 10% vAC 50/60 hz, 10 Amp Circuit

### Power Consumption:

- Nominal 700 Watts

### Weight:

- Approximately 165 lbs (75 kg)
- Optional cart: 40 lbs (18 kg)

### Ambient Requirements:

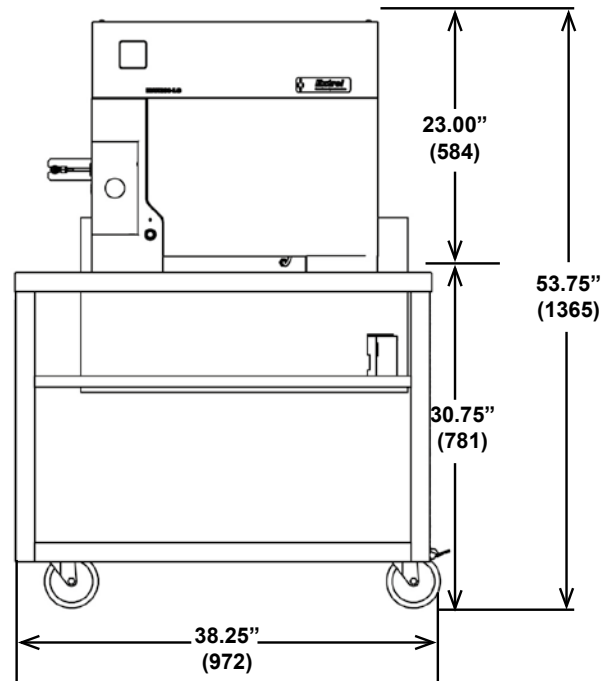
- 55°F to 80°F (13°C to 27°C)
- Area Classification: General Purpose

### Relative Humidity:

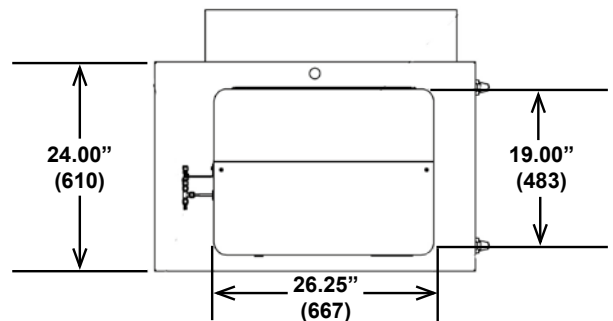
- 0-90% non-condensing

### Data System and Communications:

- System control interface options: Ethernet or USB
- Login security levels: Administrator, User, Viewer
- External communications: Ethernet, Modbus serial, digital I/O, analog I/O, OPC



MAX300-LG enclosure with cart



MAX300-LG enclosure with cart top view.

Dimensions shown in inches [cm]

---

## Exceptional Worldwide Service and Support

For over 55 years, we have been committed to providing the highest quality support services for thousands of instruments installed worldwide. Factory trained and certified personnel offer industry-leading support to our customers at every stage of their analytical process.

## SPECIFICATIONS

System Highlights:	
<b>Detectable compounds</b>	Any gas or vapor sample
<b>Detection range</b>	– Faraday detector: 100% – 5 ppm – Electron multiplier: 100% – 5 ppb* – Membrane inlet: 100% – 10 ppt*
<b>Analysis rate</b>	0.005 – 16 seconds per component – User selectable
<b>Number of components</b>	Unlimited
<b>Number of analysis routines</b>	Unlimited
<b>Number of user configurable data tags</b>	Unlimited
<b>Precision</b>	<0.05% RSD over 24 hours**
<b>Stability</b>	<0.5% RSD over 30 days**
<b>Ionization energy control for reduced fragmentation</b>	
<b>Automated detector switching within a single scan</b>	
<b>Filaments</b>	Two, one active and one spare with automatic switchover
<b>Analyzer maintenance</b>	1-3 years†
<b>Roughing pump</b>	6-12 months†
<b>Manual or fully automated calibration and validation</b>	3-12 month calibration intervals
<b>Mass range options</b>	1-250, 300, 500 amu
<b>19 mm High-transmission quadrupole filter</b>	

\* Matrix dependent. Documented on trace air components and benzene.

\*\* Based on the analysis of 1% argon, scan speed 1 second per analysis with no recalibration or intervention of any kind.

† Application dependent.

## GAIN REAL-TIME INSIGHT INTO YOUR PROCESS

Process Insights manufactures and delivers premium sensors, monitors, detectors, analyzers, instrumentation, and software that are mission-critical to keep your operations, personnel, and the environment safe – every day across the globe.

Get the most reliable, precision analytical technologies available on the market today. We will work to match your needs and budget, and provide the optimal, and most stable process analysis solution for your application.

---

## CENTERS OF EXCELLENCE | PROVIDING PROVEN SOLUTIONS

Process Insights is committed to solving our customers' most complex analytical, process, and measurement challenges everyday.

### Process Insights – The Americas

4140 World Houston Parkway Suite 180, Houston, TX 77032, USA +1 713 947 9591

### Process Insights – EMEA

ATRICOM, Lyoner Strasse 15, 60528 Frankfurt, Germany +49 69 20436910

### Process Insights – APAC

Wujiang Economic and Technology, Development Zone, No. 258 Yi He Road, 215200 Suzhou, Jiangsu Province, China +86 400 086 0106

---

For a complete range of products, applications, systems, and service options, please contact us at: [info@process-insights.com](mailto:info@process-insights.com)

For a complete list of sales & manufacturing sites, please visit: <https://www.process-insights.com/about-us/locations/>

COSA Xentaur, Tiger Optics, Extrel, Alpha Omega Instruments, ATOM Instrument, MBW Calibration, MGA, Guided Wave, ANALECT and LAR TOC Leader are trademarks of Process Insights, Inc.



REVOLUTIONIZING MEASUREMENT

**EVERYWHERE**